



ZEPHYR

PORTACOT

PRODUCT REFERENCE GUIDE

Thank you for purchasing a quality VALCO BABY product. Please read and follow the instructions outlined in this guide carefully. Familiarise yourself with the construction and safety features; be sure that you understand all the warnings and safety guidelines before use.

⚠ Important: Please read the following instructions carefully before assembling this product.
Retain this guide in a safe place for future reference.



Due to our policy of continuous product development, this product is constantly evolving. It is possible that some features or procedures outlined here have changed since this document was written. If you are unsure of any procedure shown here, please contact us via the web at info@valco.com.au to obtain the most up to date information before use. Include the batch number, which can be found on a sticker on the frame.

All pictures and diagrams herein are provided for illustration purposes only. Actual product, colour or fabric may vary. VALCO BABY reserves the right to modify or alter any specification or colour without notice or obligation to modify any product previously purchased

⚠ IMPORTANT ⚠

BEFORE ASSEMBLING THIS COT READ AND UNDERSTAND THE INSTRUCTIONS

Do not use mattress other than the one supplied by the manufacturer.
Incorrect mattress can cause death.

Use only accessories as recommended by the manufacturers.

Ensure the top rails and base are fully locked.

Stop using this cot if any part of the cot is broken, torn or missing.

KEEP THESE INSTRUCTIONS IN A SAFE PLACE FOR FUTURE REFERENCE.

FURTHER INFORMATION
In Australia/New Zealand
www.valco.com.au

In North America
only
www.valcobaby.com
1800 610 7850

© Copyright VE 2011
vs090811

ASSEMBLY

OPENING YOUR ZEPHYR

WARNING: KEEP CHILDREN AWAY WHILE ASSEMBLING/DISASSEMBLING THE COT.

FIGURE A

1. Remove the package from the carton and dispose of all packaging responsibly. Take the Zephyr out of the carry bag and slide the folded frame away from the mattress.

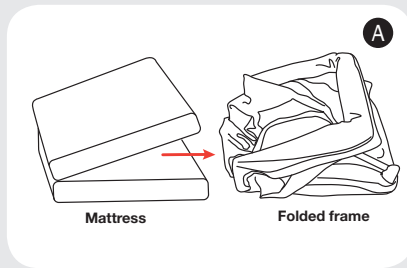


FIGURE B

2. With legs on the underside, lift and open the frame. The legs will automatically unfold.

IMPORTANT WARNING: ALWAYS TEST THAT ALL LATCHES AND LEGS ARE SECURELY ENGAGED BEFORE USE.

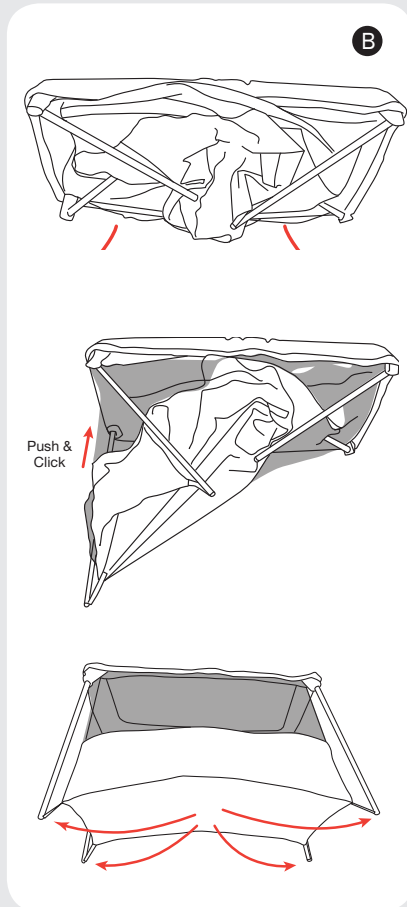
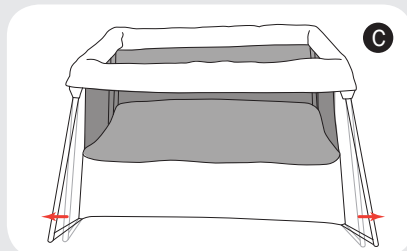


FIGURE C

3. Pull each leg fully locked and extended outward to ensure that the Zephyr is fully deployed with maximum stability.



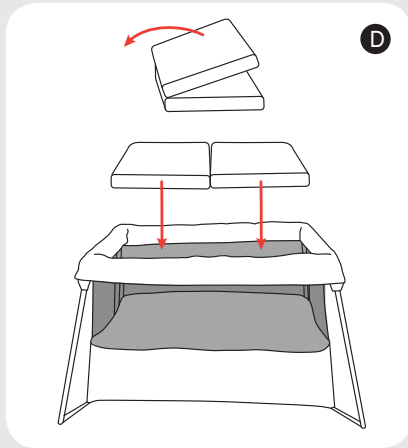


FIGURE F

4. Unfold mattress and place inside Zephyr. Be sure that the mattress is fully extended with and that there are no gaps between the mattress and the Zephyr sides.

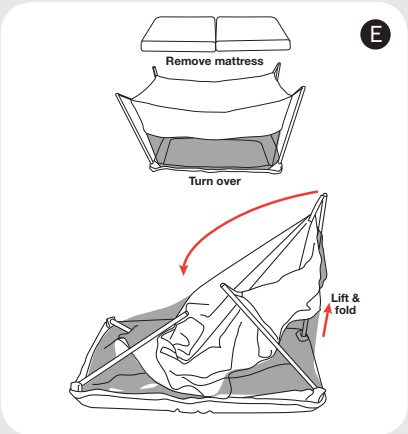


FIGURE G - FOLDING THE ZEPHYR

5. Remove the mattress.
 6. Turn Zephyr over
 7. Grasp each leg and lift it free from the housing lock.
- NOTE: YOU MAY FIND IT EASIER TO LIFT THE LEG IF YOU HOLD THE ZEPHYR FRAME DOWN WITH YOUR FOOT.**
8. Fold each leg down and across toward the centre of the frame.
 9. Repeat for all legs

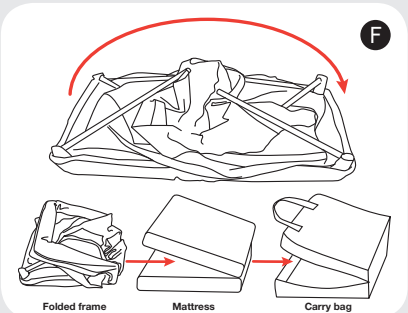
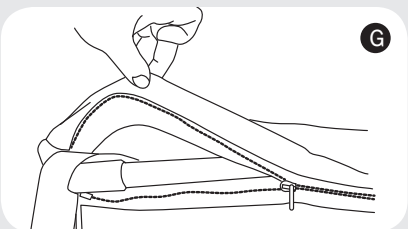


FIGURE H


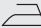



10. Fold the Zephyr frame in half.
11. Slide the Zephyr frame into the mattress
12. Place inside carry bag.

FIGURE I - CLEANING THE ZEPHYR

13. The fabric of the Zephyr is fully removable for washing. Simply locate the zipper under the top padding on each side, unzip and remove the fabric. See care instructions for washing detail. Once cleaned, reverse the procedure to replace the fabric.
14. The mattress cover is fully removable and washable.



CARE INSTRUCTIONS:

-  Warm machine wash- 30°C. Warm rinse. Dry in shade. Wash dark colours separately.
-  Warm iron.
-  Do not bleach.
-  Do not dry clean.
-  Do not tumble dry.

⚠ WARNING: TO AVOID INJURY OR DEATH ⚠

- FOLLOW THE MANUFACTURER'S INSTRUCTIONS.
- DO NOT LEAVE CHILDREN UNATTENDED.
- KEEP THE ZEPHYR CLEAR OF TRAILING CABLES AND HANGING CORDS.
- THE THICKNESS OF THE MATTRESS HAS BEEN SPECIFIED TO ENSURE THAT THE DISTANCE FROM THE TOP OF THE MATTRESS TO THE TOP OF THE LOWEST SIDE OR END WILL ALWAYS BE AT LEAST 500mm. THIS REDUCES THE RISK OF CHILDREN FALLING OUT OF THE COT.

Remember, your child's safety is your responsibility...

- Be sure to check that all clamps, Velcro and buckles are securely fixed and in place before use.
- Check all parts for breakage or fatigue before use. Discontinue immediately if any part is found to be damaged or broken.
- DO NOT use this Zephyr Portacot if a child can climb out, or is taller than 900mm.
- DO NOT place more than one child in the Zephyr Portacot at any time.
- NEVER leave any child unattended at any time.
- DO NOT place your Zephyr Portacot anywhere near hazards such as open fires or other significant sources of heat such as radiators, barbecues, stoves, etc.
- DO NOT place your child near hazards such as medication, small items that may pose a choking risk, trailing cords or electrical leads, etc.
- DO NOT place toys or other objects in the Zephyr Portacot which may provide a foothold or step up which could help a child climb out of the Zephyr Portacot.
- DO NOT use any mattress where the distance from the top of the mattress to the top of the lowest side or the end of the cot, is less than 500mm. This will minimize the risk of a child climbing out of the Zephyr Portacot and harming themselves.
- The Zephyr Portacot comes equipped with a mattress that is 580mm wide, 950mm long and 40mm deep. Using the wrong size mattress may create hazardous gaps that could result in suffocation, or reduce the side height of the Zephyr Portacot which may result in your child climbing or falling out of the Zephyr Portacot
- DO NOT move the Zephyr Portacot with a child inside.
- A Zephyr Portacot should NOT be used if the covering material has been torn or bitten through.
- When using a fitted sheet be sure to check that it is fitted tightly and does not interfere with the measurement outlined above.
- This product is intended for domestic use only. It is not intended for commercial use

CARE AND MAINTENANCE

- Continued and extended exposure to sunlight and the elements can change the colours of many materials. To avoid fading, always cover and store in a shaded area.
- DO NOT use any bleach based products to clean the Zephyr Portacot.
- The Zephyr Portacot fabrics can be removed and washed. See Care Instructions.
- To prevent mould or mildew always allow fabrics to air and dry COMPLETELY before storing.
- Always store in a well ventilated area.

WARNING ⚠ MATTRESS SIZE

THIS COT IS MADE TO USE A MATTRESS WHICH IS 580mm WIDE, 950mm LONG AND NO MORE THAN 40mm THICK. USING THE WRONG SIZE MATTRESS MAY CREATE HAZARDOUS GAPS THAT COULD RESULT IN SUFFOCATION OR COULD REDUCE THE SIDE HEIGHT OF THE COT WHICH MAY RESULT IN YOUR CHILD FALLING OUT FROM THE COT.



In Australia/New Zealand
www.valco.com.au

In North America only
www.valcobaby.com
1 800 610 7850