


valco
baby

zee
Stroller

PRODUCT REFERENCE GUIDE

Thank you for purchasing a quality VALCO BABY product. Please read and follow the instructions outlined in this guide carefully. Familiarise yourself with the construction and safety features; be sure that you understand all the warnings and safety guidelines before use.

 Important: READ ALL INSTRUCTIONS BEFORE ASSEMBLY AND USE OF PRODUCT.
KEEP INSTRUCTIONS FOR FUTURE USE.



Due to our policy of continuous product development, this product is constantly evolving. It is possible that some features or procedures outlined here have changed since this document was written. If you are unsure of any procedure shown here, please contact us via the web at info@valco.com.au to obtain the most up to date information before use. Include the batch number, which can be found on a sticker on the frame.

All pictures and diagrams herein are provided for illustration purposes only. Actual product, colour or fabric may vary. VALCO BABY reserves the right to modify or alter any specification or colour without notice or obligation to modify any product previously purchased

FURTHER INFORMATION

In Australia/New Zealand
www.valco.com.au

In North America only
www.valcobaby.com
info@valcobaby.com
1800 610 7850

© Copyright VE 2011
vs051211

ASSEMBLY

FIGURE A - CONTENTS

1. Remove the stroller from the carton and dispose of all packaging thoughtfully. Check contents.

FIGURE B - OPENING

2. Release frame lock on side of stroller frame.

3. Lift the stroller handle upward over 180° until it locks into a straight line.

4. With one hand holding the lower legs down, lift the handle vertically until the lower chassis locks into position. (You should hear an audible 'click').

▲ IMPORTANT WARNING: ▲

ALWAYS TEST THAT ALL LATCHES ARE SECURELY ENGAGED BEFORE USE.

FIGURE C - INSERTING REAR AXLE

5. Align the plastic housings of the rear brake section with the open tubes of the rear of the stroller chassis.

IMPORTANT: BE SURE THAT THE BRAKE LEVER IS UPRIGHT

6. Insert the housings over the open tubes until the brake section locks securely into place.

▲ IMPORTANT WARNING: ▲

TEST THAT THE BRAKE SECTION IS SECURELY ENGAGED ONTO THE STROLLER FRAME BY PULLING ON IT FIRMLY.

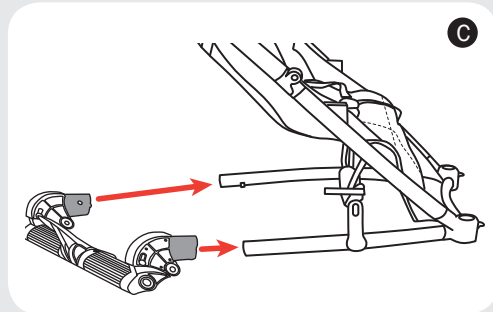
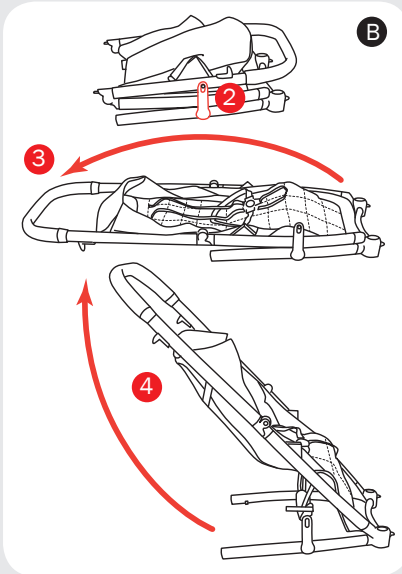
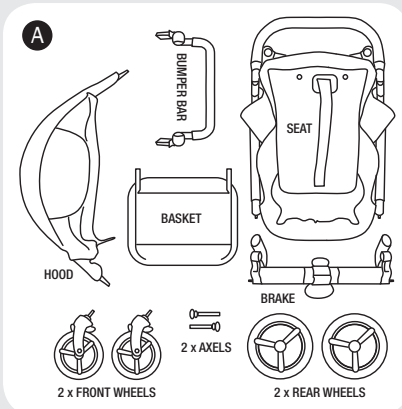
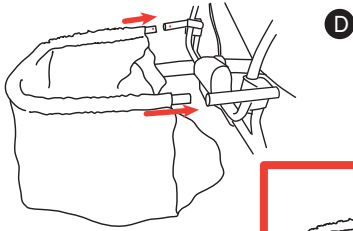


FIGURE D - ATTACHING THE BASKET



7. Align the basket frame with the open tubes at the rear of the seat. Simultaneously pressing in the locking buttons, slide the basket frame into the housing until the buttons lock into place. **IMPORTANT:** When basket is locked into place - the locking buttons (pins) will pop through the holes. (Otherwise it is not securely engaged.)

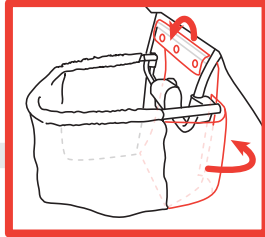
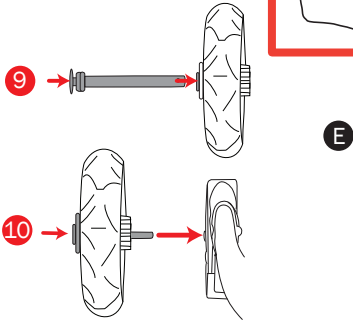
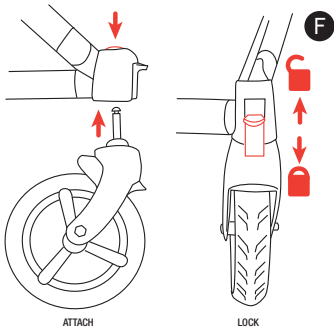


FIGURE E - INSERTING REAR WHEELS



8. Basket front - pass the front flap over the bar between the seat and the seat frame. Secure with the snaps. Pull the side flaps around the front and Velcro into place on the front flap.
9. Simultaneously press on the spring loaded axle button and insert it through the central hub of the rear wheel. Repeat this process for the other rear wheel.
10. Pressing the axle button again, insert the axle end into the side of the brake housing as far as it will go. Release the axle button and pull slightly on the wheel to ensure that it has securely engaged.

FIGURE F - FRONT WHEELS



11. Grasping the front wheel, align the shaft with the hole in the underside of the swivel housing.
12. Depress the button on the top of the swivel housing. Insert the shaft into the housing as far as it can go until it engages securely.
13. Repeat the procedure for the other front wheel.

IMPORTANT: PULL THE WHEEL DOWNWARD TO TEST THAT IT HAS SECURELY ENGAGED IN THE HOUSING.

LOCKING YOUR WHEELS

14. Your front wheels can be set to swivel freely (360°) or can be fixed in place for use over rough or sandy surfaces.
15. To fix the front wheel in the non swivel position, turn the wheel so that the two notches on both housings line up. Press down firmly on the swivel lock until it locks into place.
16. To unlock simply lift the locking tab until it locks in the open position.

FIGURE G - USING YOUR BRAKE SYSTEM

17. To engage the brake press down on the central brake pedal, until the brakes engage fully into the wheel cogs.
18. To disengage, simply reverse the process.

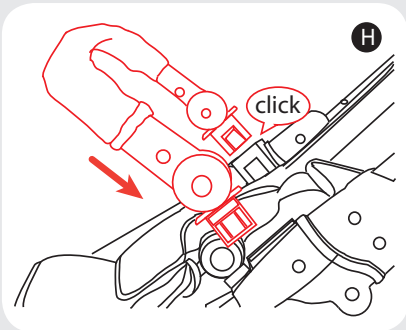


FIGURE H - BUMPER BAR

19. Insert the front bar ends into the nylon housings located on either side of the frame. Be sure that the bar is securely engaged.
20. Adjust the front bar by simultaneously pressing the button on the bar housing and swivelling the bar to the uppermost position.
21. **This is the only position for use with a child in the stroller.**
22. To remove the front bar: Feeling the side of the nylon housing that sits below the frame at each side (facing inward), locate the release button.
23. Press each release button inward while simultaneously pulling upward on the bar housing. Repeat for the other side. Note that this may be difficult to do as the bar is secured firmly as a safety precaution.

⚠ IMPORTANT WARNING: THE FRONT BAR IS NEITHER A RESTRAINING NOR CARRYING DEVICE.

FIGURE I - SEAT RECLINE

Our system offers an almost infinite amount of individual seat adjustments.

24. TO RECLINE: While squeezing the centre release mechanism in a pincer action, ease the seat down to the desired position.
25. TO INCLINE: Place your hand at the centre of the rear of the seat. Pull the incline strap while gently pushing on the rear of the seat until the desired position has been reached.

FIGURE K- ADJUSTING YOUR FOOTREST

26. To adjust your foot rest downward, press the central buttons on either side of the footrest while simultaneously adjusting it up or down.

YOUR FOOTREST IS DESIGNED TO COLLAPSE IF EXCESS WEIGHT IS APPLIED TO IT

FIGURE Q

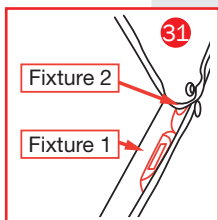
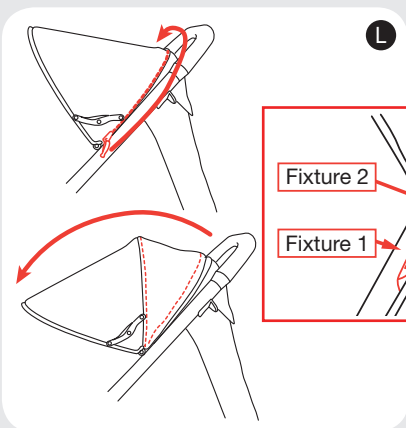
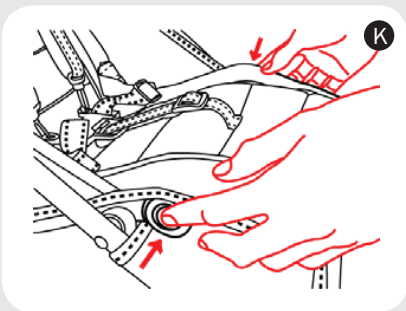
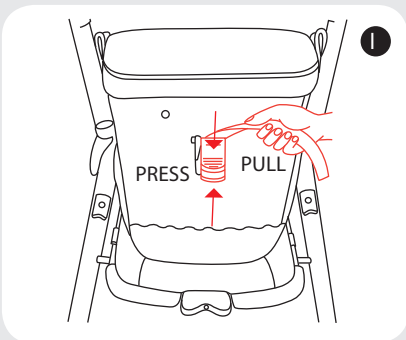
The Expanda hood unzips, increasing the size of your standard hood to give greater coverage and protection from the sun and weather for your child.

To open the Expanda Hood:

27. Locate the zip in the center of the Expanda Hood and unzip completely
28. Gently pull the Expanda Hood forward until it reaches its full extension.

To close the Expanda Hood:

29. Gently push the Expanda Hood back, allowing the middle section to fold in on itself.
30. Carefully zip the Expanda Hood closed.
31. The hood offers two height positions to allow for your child's growth. To increase the height of the hood simply move the hood to the second fixture.



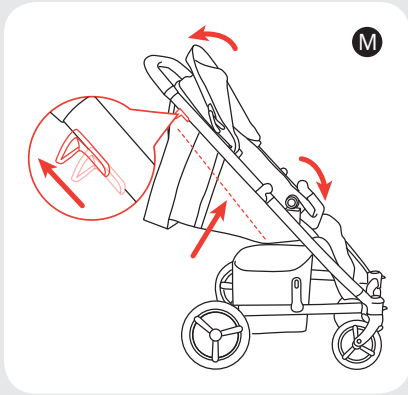


FIGURE M - FOLDING YOUR STROLLER

31. To ensure maximum compactness, prior to folding your stroller:

- fold the hood closed back against the handle
- incline the seat upright and gently push inward forward of the seat frame
- lower the bumper bar
- remove all contents from the basket

Locate the frame release on either side of the handle. Lift the frame release buttons on either side of the handle simultaneously upwards.

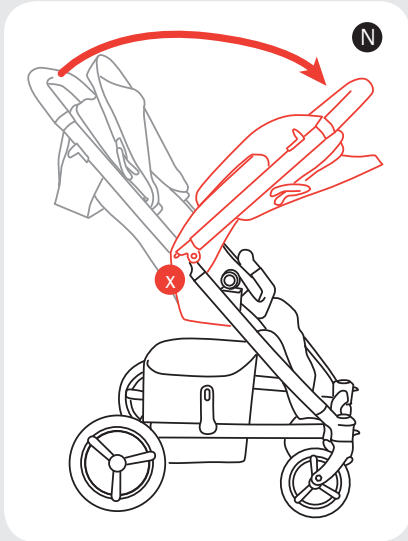


FIGURE N - FOLDING YOUR STROLLER

33. Swing the handle forward. As the handle passes the fold joint (x), you will feel the lower chassis release and fold downward in a 'z' shape.

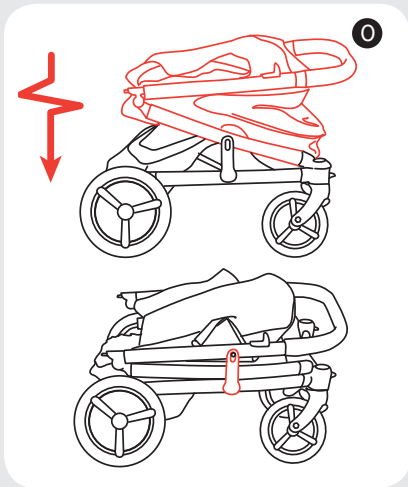


FIGURE O - FOLDING YOUR STROLLER

34. Push the frame down completely until the frame lock engages.

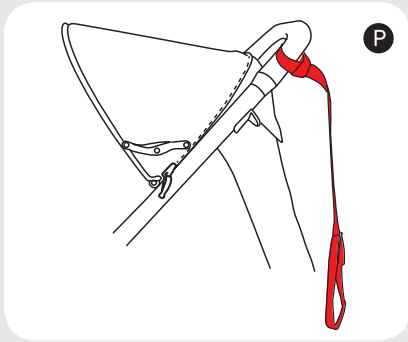


FIGURE P- TETHER STRAP

36. Your stroller has been equipped with a safety tether strap. This strap has been designed to always keep your stroller within constant reach.

IMPORTANT: ALWAYS SLIP THE LOOP IN THE STRAP SECURELY OVER YOUR WRIST WHENEVER A CHILD IS IN YOUR STROLLER.

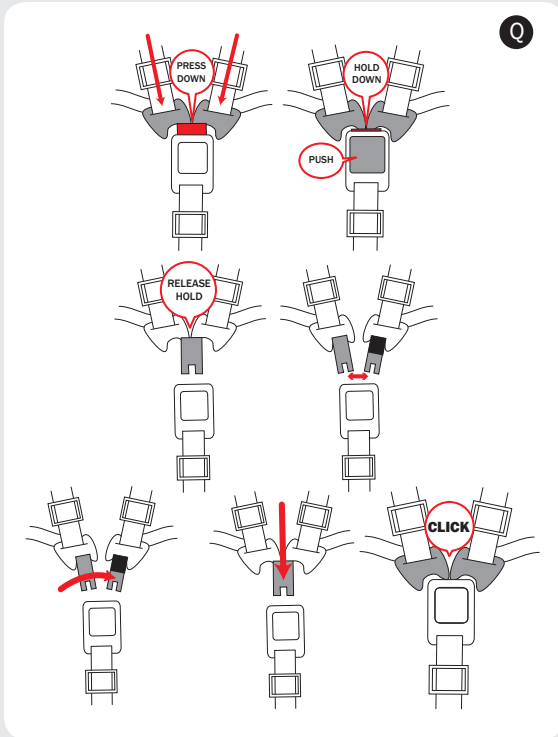


FIGURE A - USING YOUR HARNESS

Your stroller is fitted with our unique multi point safety harness system.

IMPORTANT: YOUR CHILD MUST ALWAYS BE HARNESSSED WHILE IN THE STROLLER.

Please read these instructions carefully before use.

FIGURE Q

TO OPEN YOUR HARNESS:

15. Push down on both Buckle Prongs.
16. Simultaneously press the release button in the centre of the buckle.
17. Lift the buckles from the Buckle Housing.

THIS PROCESS MAY BE DIFFICULT AS YOUR BUCKLE SYSTEM HAS BEEN DESIGNED TO MEET VERY STRINGENT SAFETY STANDARDS AND ENSURE THAT A CHILD CANNOT RELEASE THE HARNESS UNAIDED.

TO SECURE YOUR CHILD IN THE HARNESS:

18. Overlap buckles and so that they fit together to form one complete buckle.
19. Insert the completed buckle into the Buckle Housing until it engages securely in place.

▲ IMPORTANT WARNING: ▲

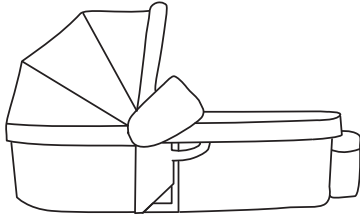
ALWAYS TEST THAT ALL LATCHES ARE SECURELY ENGAGED BEFORE USE.

▲ WARNING ▲
AVOID SERIOUS INJURY FROM FALLING OR SLIDING OUT. ALWAYS USE SEAT BELT.

ZEE ACCESSORIES

BASSINET:

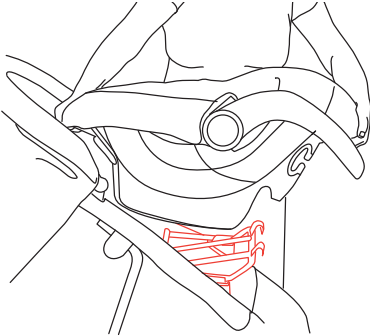
The Bassinet clicks right into your Zee Stroller and provides a classic fully enclosed and comfy environment for your infant.



BASSINET

CAR SEAT ADAPTORS:

Click your car seat right into your Zee Stroller. Contact info@valcobaby.com for specific models.



CAR SEAT ADAPTORS

SNACK TRAY:

Clicks into your stroller with ample 'table top' space and a bottle holder for your child.

UNIVERSAL RAINCOVER:

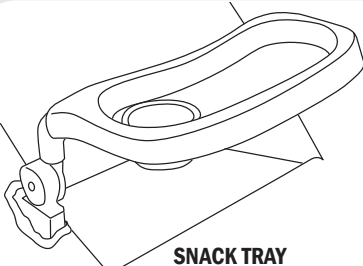
gives excellent protection from rain, wind and snow for both child and stroller.

ALL SORTS:

Dress up your stroller with the All Sorts Seat Pad & Head Hugger Set to suit your mood and enliven your stroller.

GLO BUGZ:

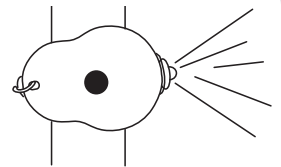
Glo Bugz are an easy way to stay safe and visible at night. Attaches easily to strollers, bikes, backpacks and more.



SNACK TRAY



ALLSORTS



GLO BUGZ



UNIVERSAL RAINCOVER

⚠ WARNING: TO AVOID INJURY OR DEATH ⚠

- **ALWAYS APPLY THE BRAKES WHENEVER THE PRAM/STROLLER IS STATIONARY**
- **DO NOT LEAVE CHILDREN UNATTENDED.**
- **SECURE THE CHILD IN THE HARNESS AT ALL TIMES.**
- **DO NOT CARRY EXTRA CHILDREN OR BAGS ON THIS PRAM/STROLLER.**
- **MAKE SURE CHILDREN ARE CLEAR OF ANY MOVING PARTS IF YOU ADJUST THE PRAM/STROLLER. OTHERWISE THEY MAY BE INJURED.**
- **WARNING: USE THIS HARNESS AT ALL TIMES.**
- **WARNING: WHEN NOT IN USE DISCONNECT SHOULDER STRAPS FROM THE WAIST STRAP AND/OR BUCKLE.**
- **FOLLOW THE MANUFACTURER'S INSTRUCTIONS.**
- **PARCELS OR ACCESSORY ITEMS, OR BOTH PLACED ON THE UNIT MAY CAUSE THE UNIT TO BECOME UNSTABLE**
- **WARNING CHILD MAY SLIP INTO LEGOPENINGS AND STRANGLE. NEVER USE IN RECLINED CARRIAGE POSITION(S) UNLESS (MANUFACTURER TO INSERT PRODUCT SPECIFIC INSTRUCTIONS)**

Remember, your child's safety is your responsibility...

- **NEVER USE ON STAIRS OR ESCALATORS.**
- **ALWAYS USE THE TETHER STRAP WHEN THE STROLLER IS IN USE.**
- **THE CORRECT USE AND MAINTENANCE OF THIS VEHICLE ARE ESSENTIAL.**
- **BE SURE THAT ALL CLAMPS AND BUCKLES ARE SECURELY FIXED AND IN PLACE BEFORE USE**
- **WHEN IN THE STROLLER, YOUR CHILD MUST ALWAYS WEAR THE SAFETY HARNESS, CORRECTLY FITTED AND ADJUSTED, AT ALL TIMES.**
- **ALWAYS USE THE HARNESS, CORRECTLY FITTED AND ADJUSTED, WITH YOUR CHILD IN THIS SEAT.**
- **THE MAXIMUM WEIGHT OF THE CHILD FOR WHICH THIS STROLLER WAS INTENDED IS 19.9KGS (39LBS).**
- **THE MAXIMUM HEIGHT OF THE CHILD FOR WHICH THIS STROLLER WAS INTENDED IS 90CM (35INCHES).**
- **THE STROLLER MAY BECOME UNSTABLE IF THE MANUFACTURER'S RECOMMENDED LOAD IS EXCEEDED.**
- **CARE MUST BE TAKEN WHEN FOLDING AND UNFOLDING THE PRODUCT TO PREVENT FINGER ENTRAPMENT.**
- **CAN BE USED FROM A NEWBORN BABY ONWARDS. A COCOON, SPECIALLY DESIGNED TO BE USED WITH A STROLLER, IS RECOMMENDED WHEN ANY FULLY RECLINING STROLLER IS USED WITH A NEWBORN.**
- **NEVER RUN WITH A NEWBORN BABY IN ANY PRAM OR STROLLER UNTIL THE CHILD CAN SIT UP UNASSISTED (APPROXIMATELY 6 MONTHS).**
- **CHECK ALL PARTS BEFORE USE FOR BREAKAGE OR FATIGUE. DISCONTINUE USE IMMEDIATELY IF ANY PART IS FOUND TO BE DAMAGED OR BROKEN.**
- **MAXIMUM LOAD OF BASKETS: 3.5KGS (7.7LBS)**
- **DO NOT CARRY ADDITIONAL CHILDREN. THIS STROLLER IS MANUFACTURED FOR THE USE WITH ONE CHILD ONLY**
- **ALWAYS BE AWARE OF THE RISKS PROVIDED BY FIRE AND OTHER SIGNIFICANT SOURCES OF HEAT SUCH AS RADIATORS, ETC. WHICH MAY BE IN THE IMMEDIATE VICINITY OF YOUR STROLLER.**
- **IT MAY BE UNSAFE TO USE ANY ACCESSORIES OTHER THAN VALCO BABY APPROVED ONES.**
- **THIS PRODUCT IS INTENDED FOR DOMESTIC USE ONLY. IT IS NOT INTENDED FOR COMMERCIAL USE.**

Should the chassis become wet, dry off promptly before storing. If this pram is used near the ocean or salted roads, spray the chassis and seat frame with water and dry. We recommend a rust inhibiting product should be used to prevent rust and fatigue on metal parts.

We recommend that you wipe down axles and lubricate the wheels every 3 months. Sand and dirt can grind down axles, if you live near the beach or in a dusty environment you must wipe down the axles and wheels then lubricate them monthly.

AXLES ARE BEST LUBRICATED WITH GREASE OR PETROLEUM JELLY. MOVING PARTS ARE BEST LUBRICATED WITH SILICONE BASED PRODUCTS. DO NOT USE OIL BASED PRODUCTS.

valco
baby

In Australia/New Zealand
www.valco.com.au

In North America only
www.valcobaby.com
1 800 610 7850